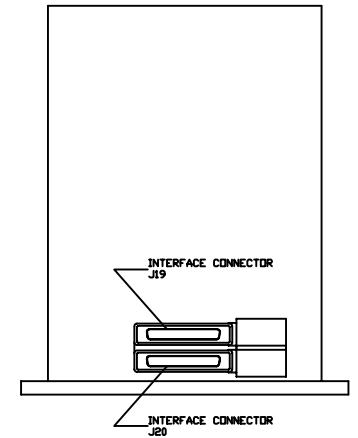
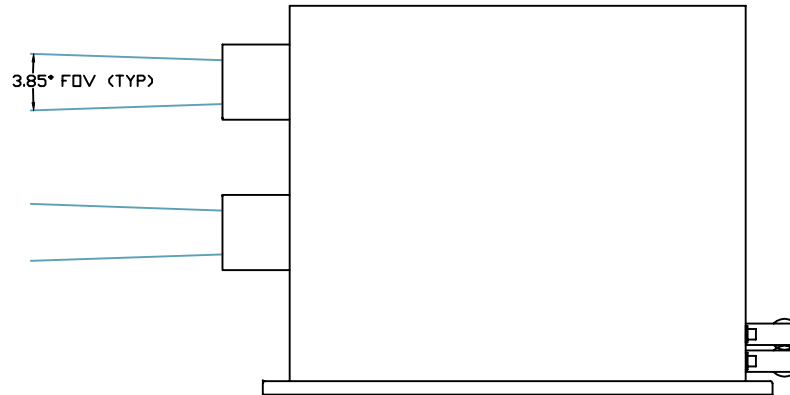
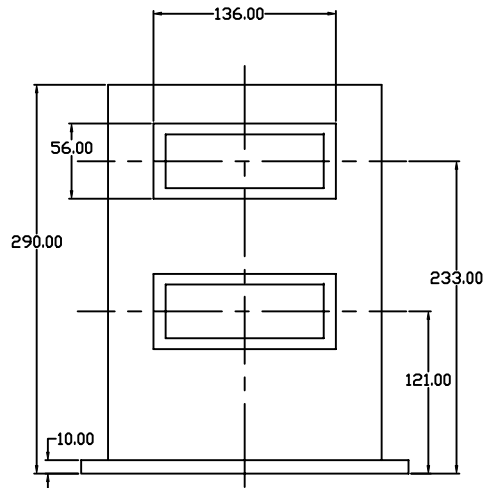
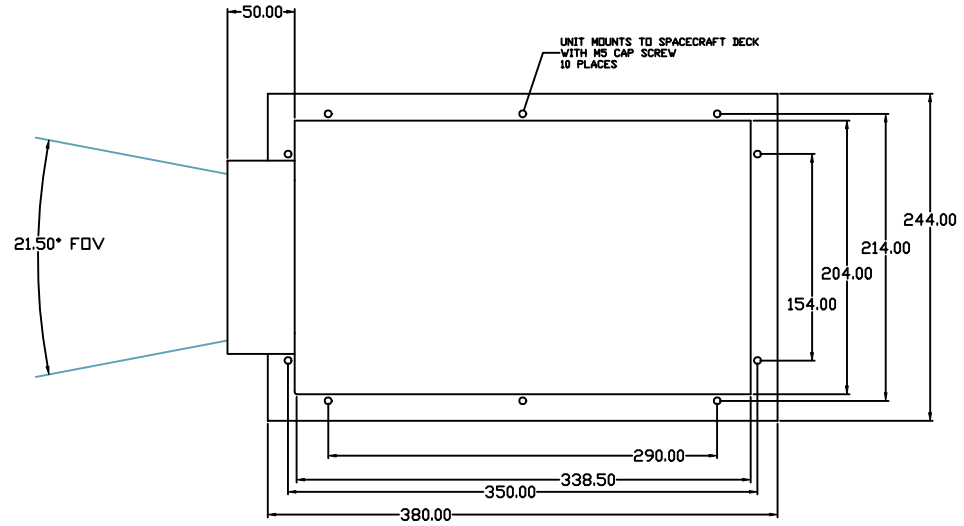


REV	DESCRIPTION	BY	DATE
A	INITIAL VERSION MADE FROM TOHOKU LAYOUT DRAWING	HDH	18MAY00
B	CHANGED CONNECTOR DESIGNATORS	HDH	16JUN00

NOTES:

- 1) THIS DRAWING SHOWS THE USE OF GLENAIR TYPE 550 BACKSHELLS ON ALL CONNECTORS. THIS IS NOT A HARD REQUIREMENT, AND A DIFFERENT BACKSHELL COULD BE USED IF DESIRED BY THE SPACECRAFT CONTRACTOR. NOTE ALSO THAT EACH BACKSHELL IS AVAILABLE IN SIDE, END, AND BACK ENTRY VERSIONS. DIFFERENT VERSIONS FROM THOSE SHOWN MAY BE USED IF IT AIDS IN ROUTING THE WIRING HARNESS.



REVIEWS (NAME/DATE)		TITLE	UNIVERSITY OF CALIFORNIA AT BERKELEY	
ORIGINAL VERSION	CURRENT REVISION	ISUAL ARRAY PHOTOMETER MECHANICAL ICD	SPACE SCIENCES LABORATORY	
CHECK	BY: HDH	DATE: 18 MAY, 2000	NO	REV
RELEASE	ENG: TOHOKU	SHEET 1 OF 4	8454-A4	B