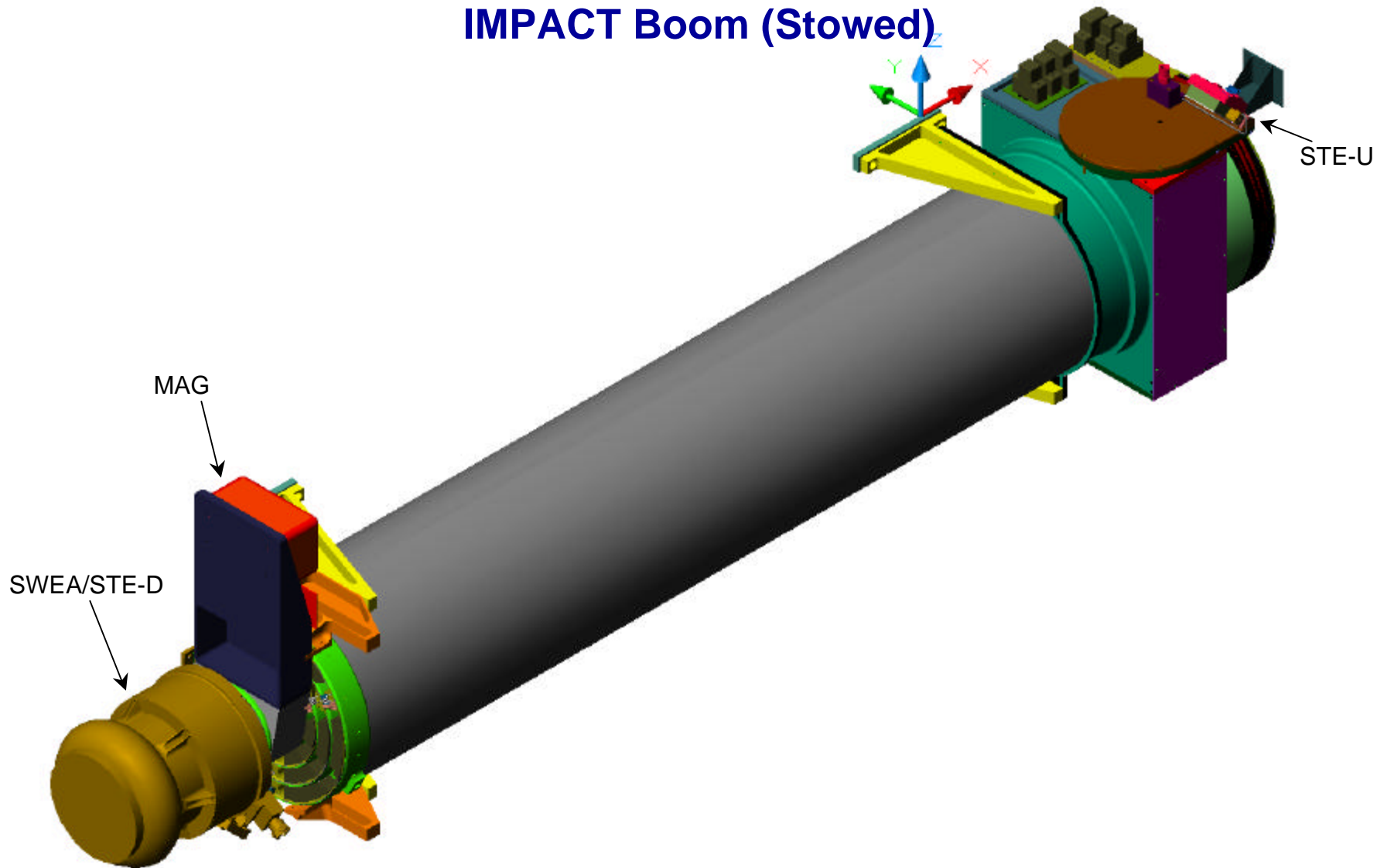




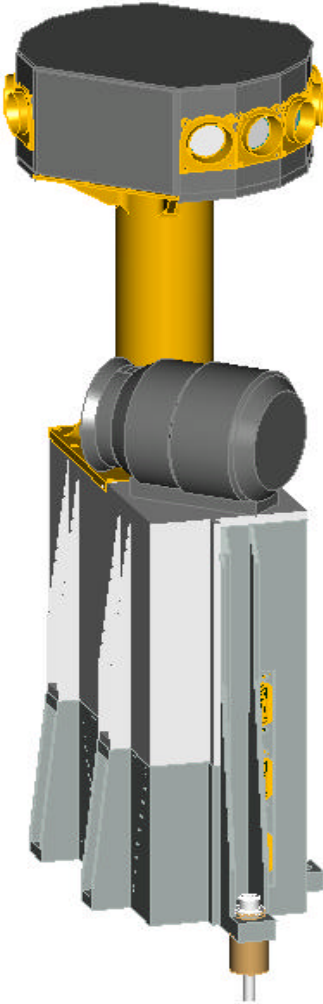
Team Member Institutions and Primary Roles

- **University of California, Berkeley-Space Sciences Laboratory (IMPACT Management,SWEA,STE,IDPU)**
- **NASA Goddard Space Flight Center (MAG,SEP-LET,HET)**
- **California Institute of Technology (SEP-LET,HET)**
- **University of Maryland (SEP-SIT)**
- ***University of Kiel (SEP-SEPT)***
- ***Centre d'Etude Spatiale des Rayonnements CESR (SWEA)***
- **Los Alamos National Laboratory (Science Integration, SEP-SIT)**
- ***Max Planck Institut fur Aeronomie (SEP-SIT)***
- **Jet Propulsion Laboratory (SEP-LET,HET)**
- ***ESTEC-European Space Agency (SEP-SEPT)***
- ***DESPA Observatoire de Paris-Meudon (SWAVES/IMPACT coordination)***
- **University of California, Los Angeles (MAG, IMPACT Data Web)**
- **SAIC-Science Applications International Corporation (IMPACT Modeling)**
- **NOAA Space Environment Center (IMPACT Modeling, Space Weather Applications)**
- **University of Michigan (IMPACT Modeling)**
- ***KFKI-Hungarian Research Institute for Particle and Nuclear Physics (SEP Modeling)***

IMPACT Boom (Stowed)

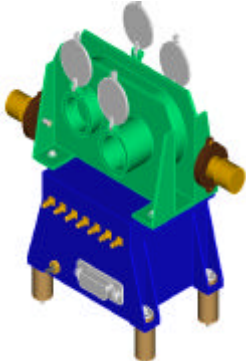


STEREO IMPACT

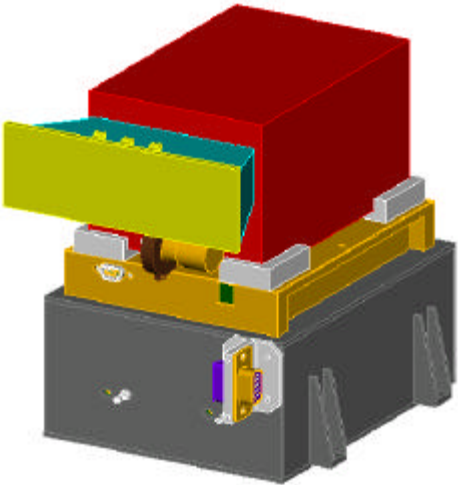


SEP Central/HET/LET

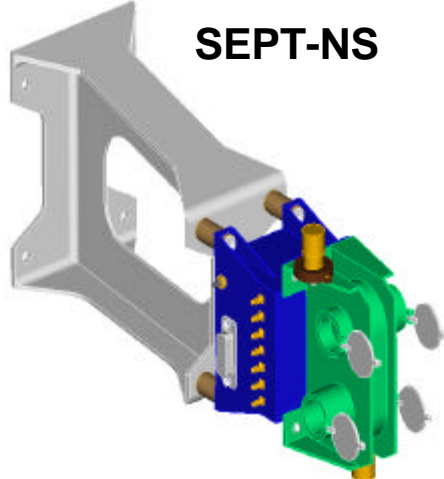
SEP



SEPT-E

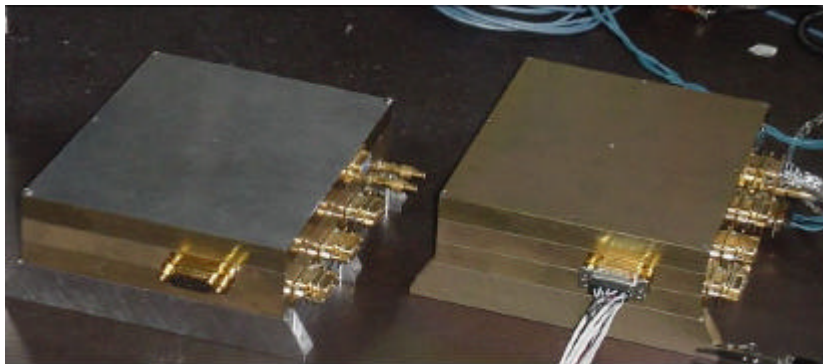
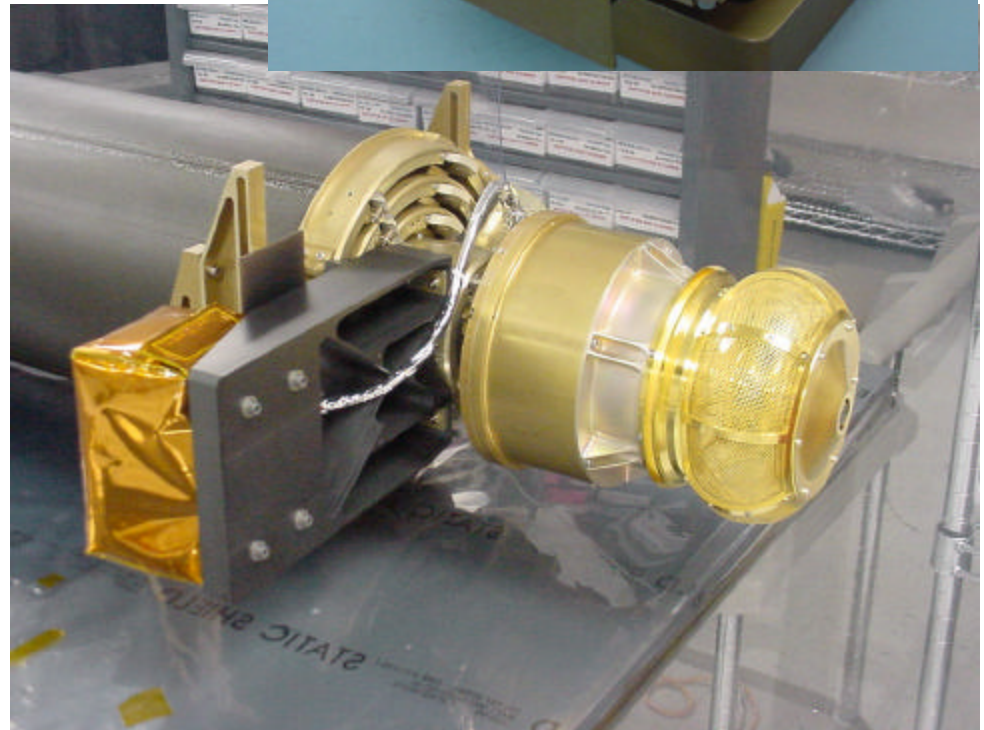
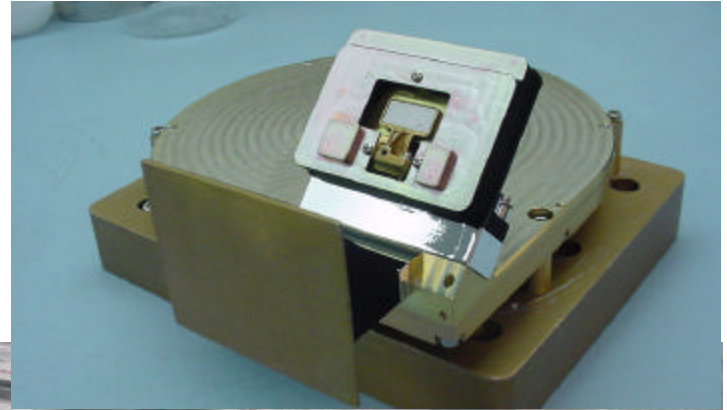
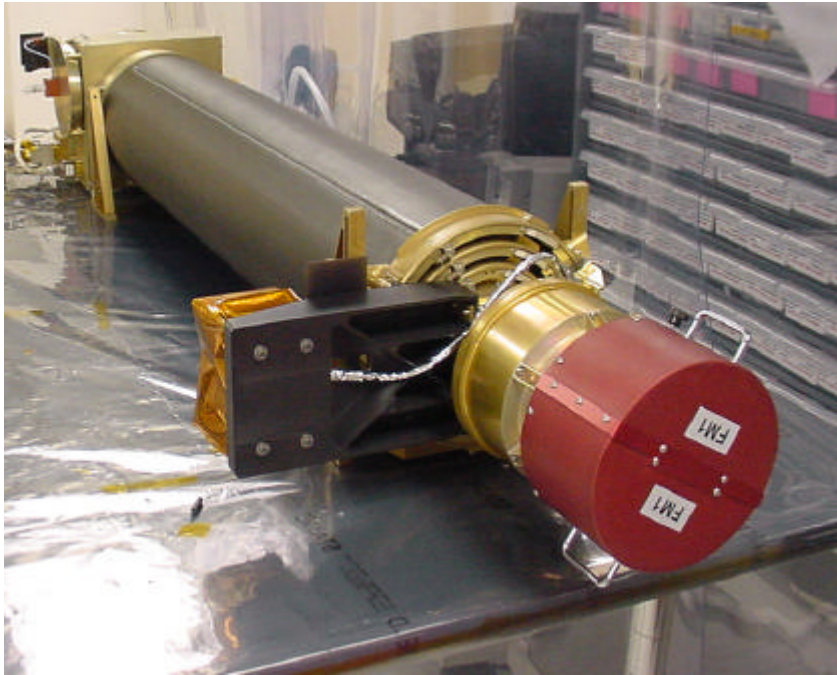


SIT



SEPT-NS

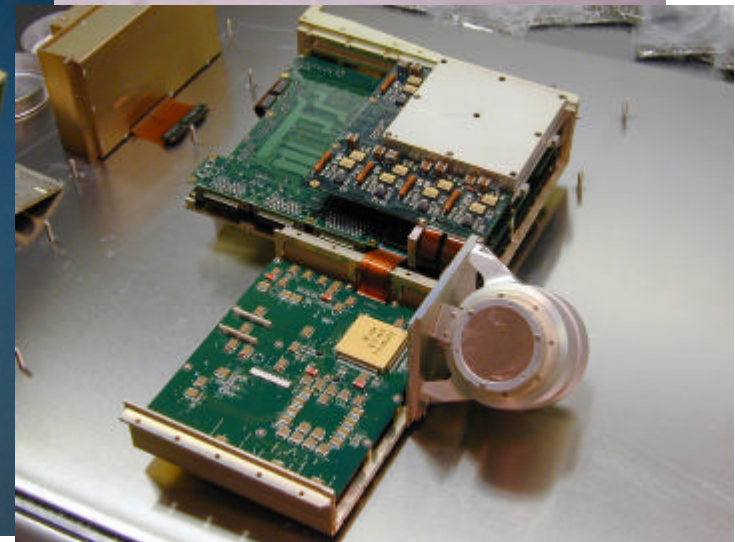
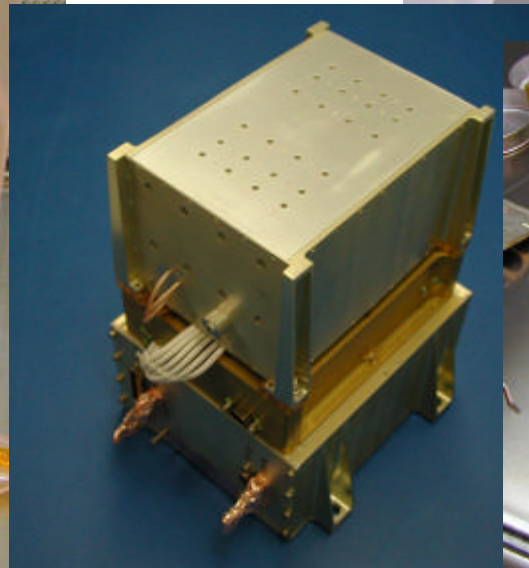
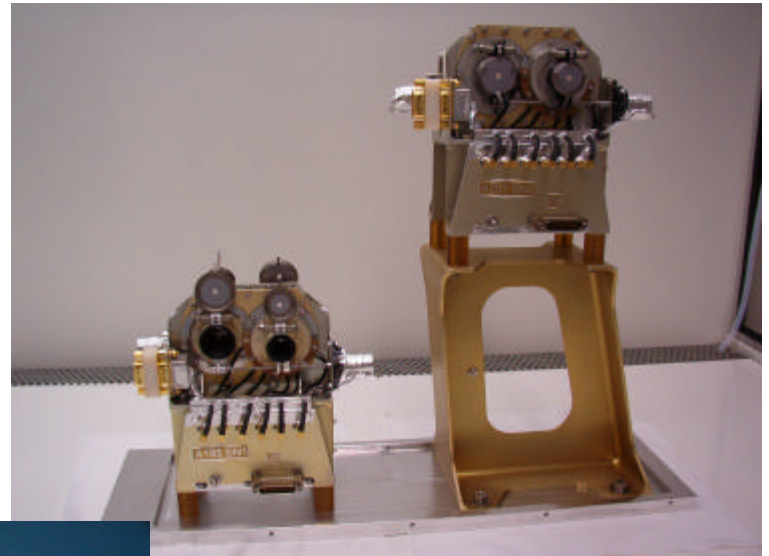
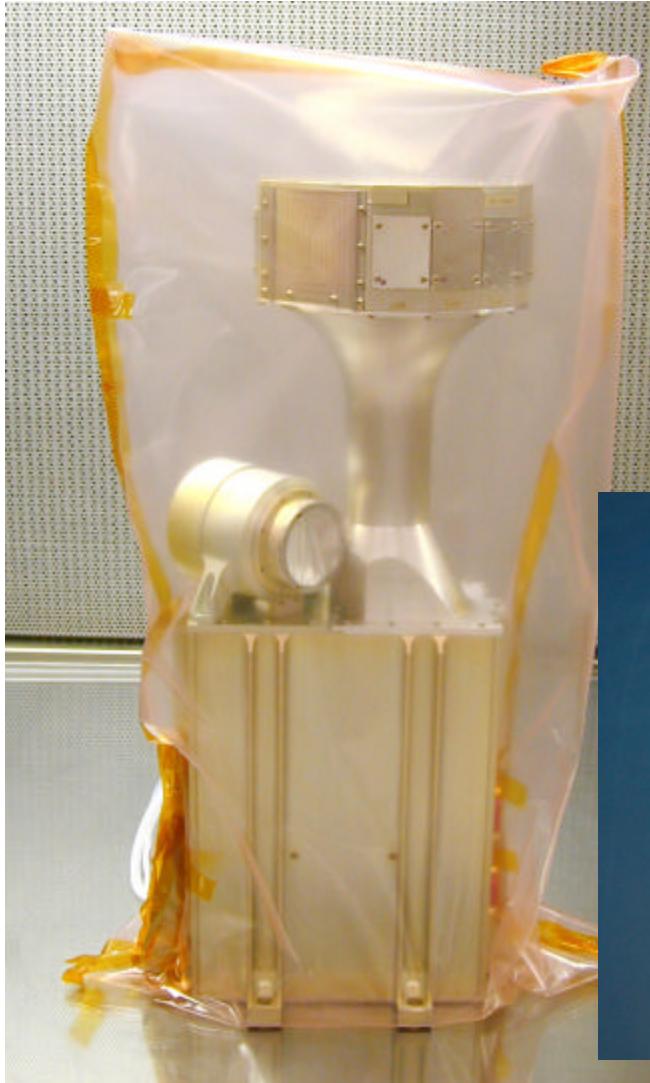
Boom Suite



STEREO IMPACT

SWG Summary
2004 December 18

SEP



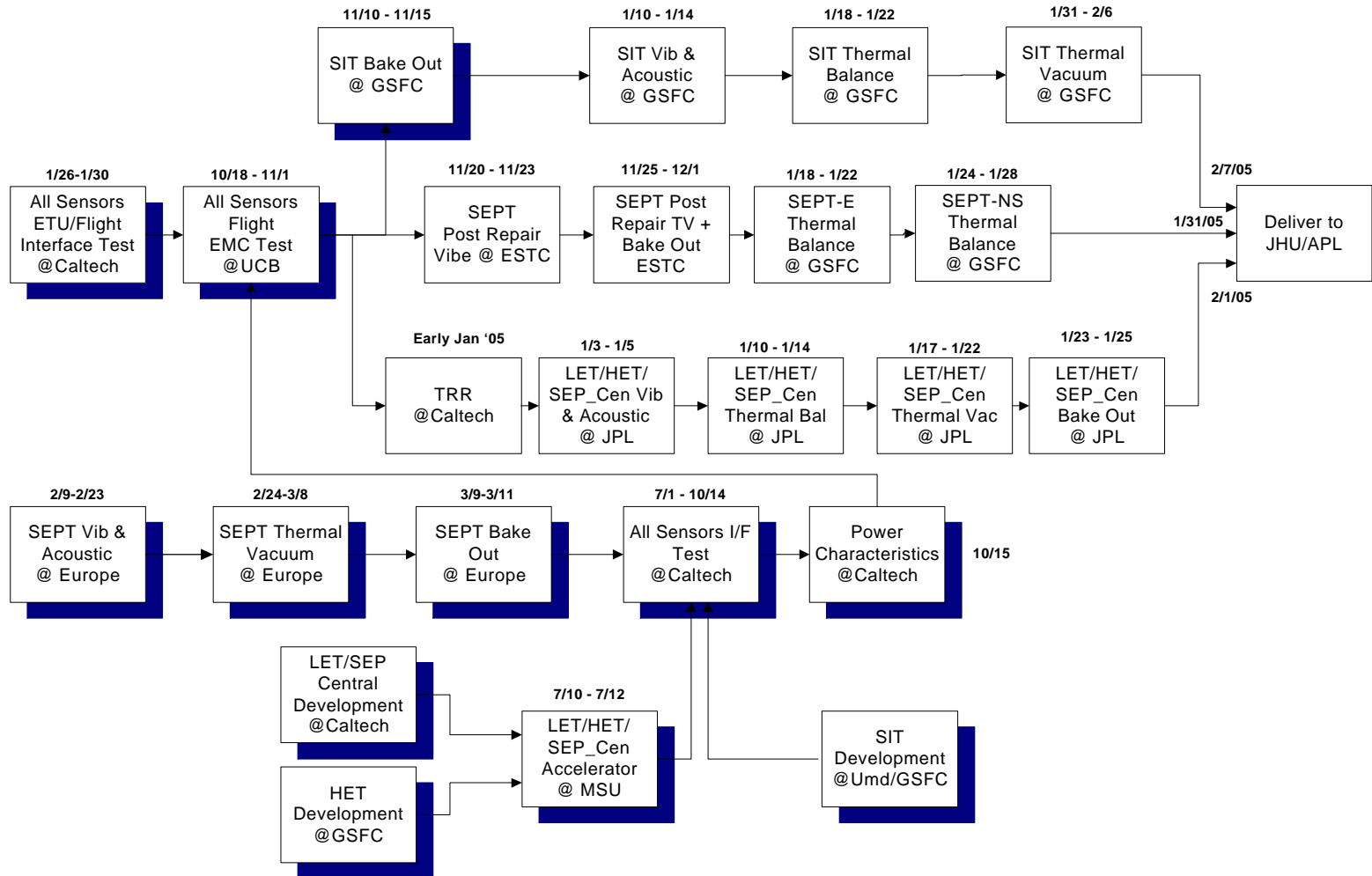
Testing



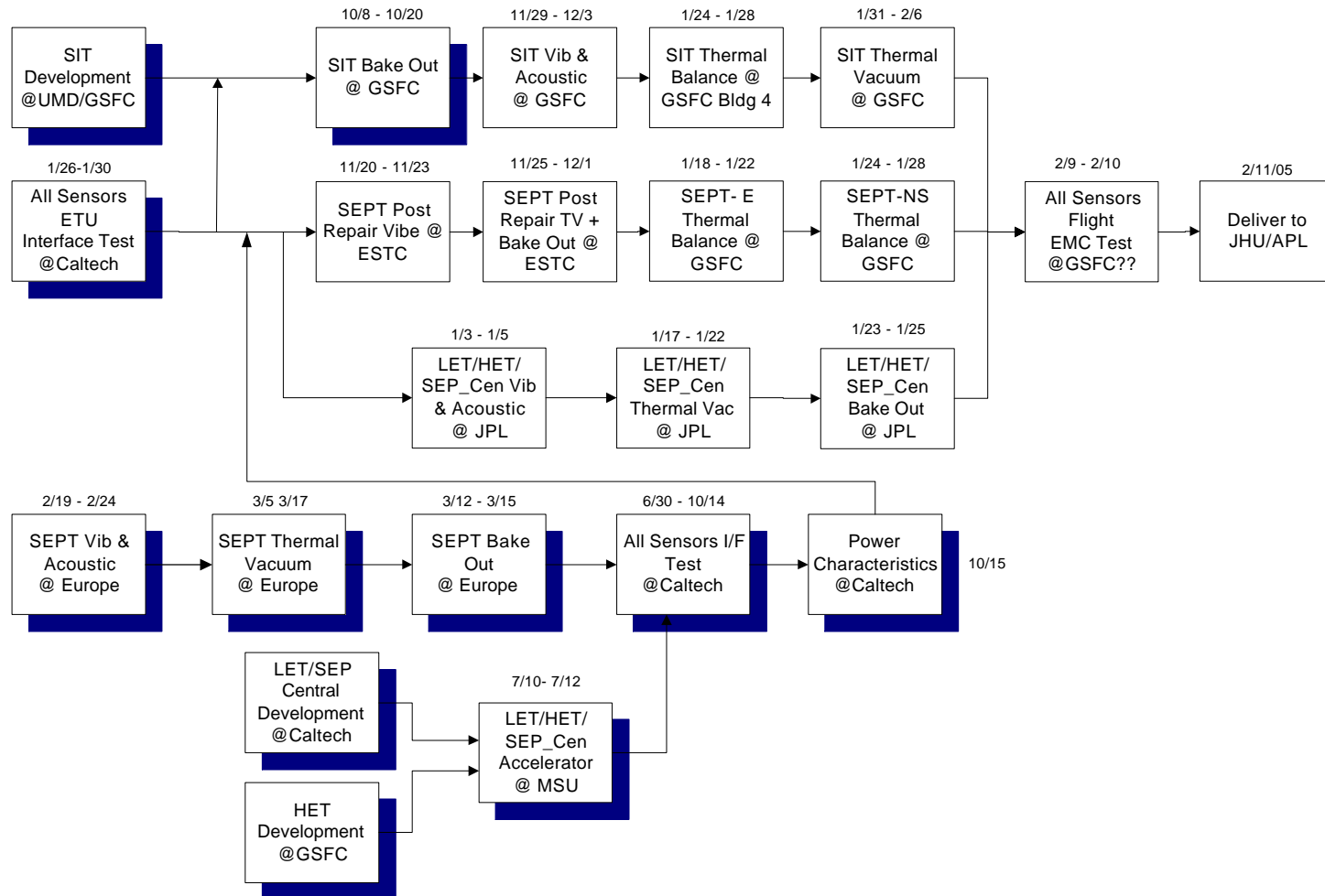
IMPACT Boom Shipping Container



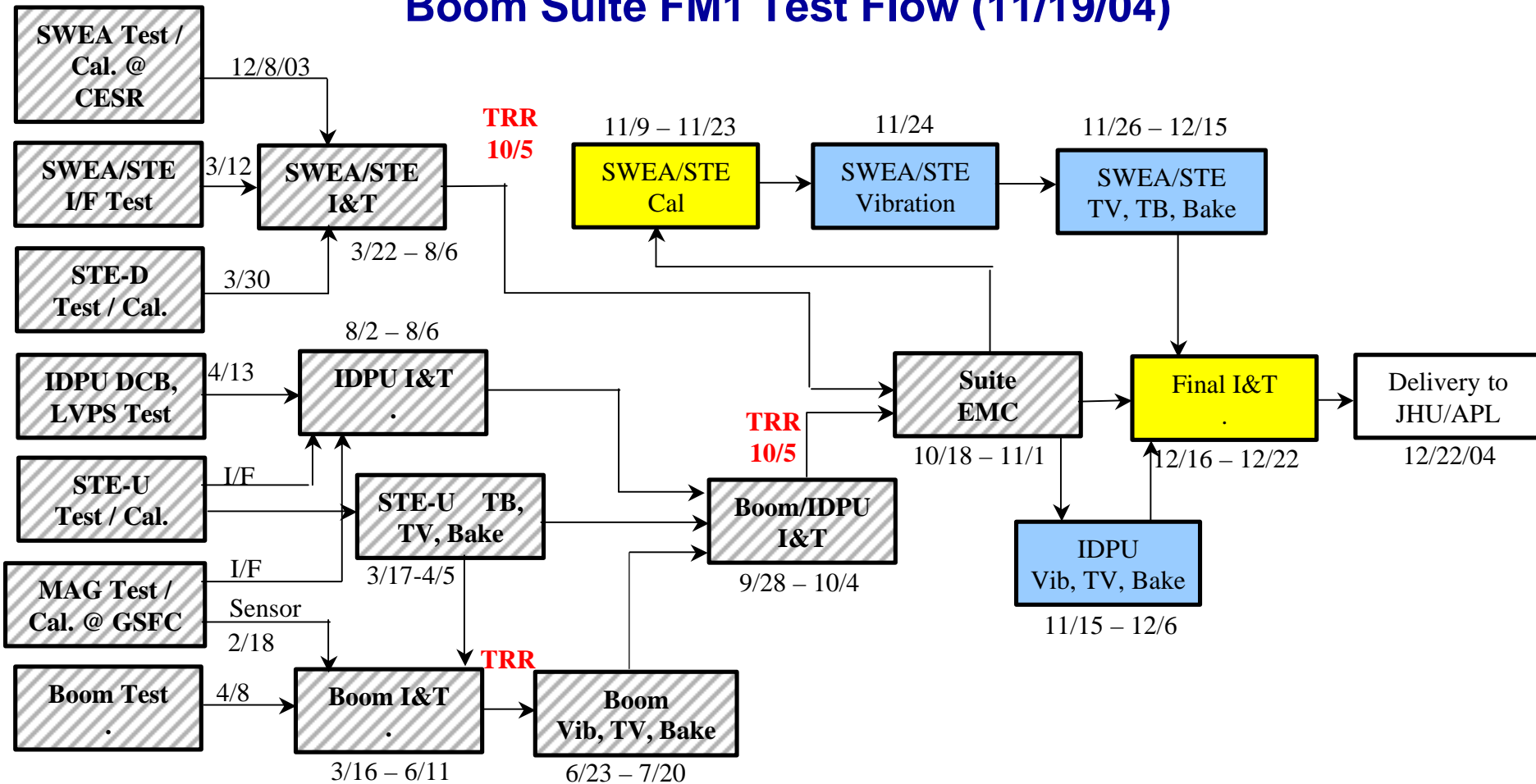
SEP Suite FM1 (Ahead Unit) Test Flow Status as of 11/19/2004



SEP Suite FM2 (Behind Unit) Test Flow Status as of 11/19/2004



Boom Suite FM1 Test Flow (11/19/04)



Boom Suite FM2 Test Flow (11/19/04)

