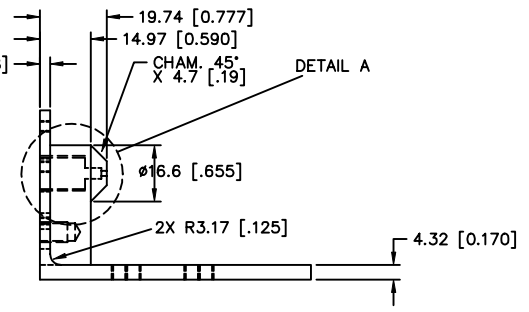
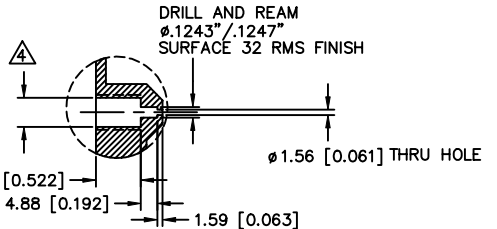


REVISIONS				
ZONE	REV	DESCRIPTION	DATE	APPROVED
			22OCT97	

- NOTES (UNLESS OTHERWISE SPECIFIED):
1. INTERPRET DRAWING PER ANSI Y14.5M-1982.
  2. SURFACE TEXTURE PER ANSI B46.1-1978 MICROMETERS -  $\mu\text{m}$
  3. REMOVE BURRS & BREAK SHARP EDGES.
- $\Delta$  DRILL [ $\phi$ .339] AND TAP 1/8" NPT THREAD



REF. DWG. 8192-04, ELEC. SCHEMATIC	PART OR IDENTIFYING No.		NOMENCLATURE OR DESCRIPTION		MATERIAL SPECIFICATION	
ITEM No.	QTY REQD	PARTS LIST				

TOLERANCES (EXCEPT AS SPECIFIED)		CONTRACT No.		SPACE SCIENCES LABORATORY	
OVER	TO			UNIVERSITY OF CALIFORNIA - BERKELEY	
0	49.99	30:1		TITLE	
50	249.9	30:5			
250	-	4:1		SI ELECTRICAL INTERCONNECT ASSY	
ANGLES		45°			
DO NOT SCALE DRAWING		APPROVALS	DATE	SIZE	
TREATMENT		DRAWN R.CHUNG 21MAY97		DWG No. 8174-A2	
FINISH		CHECKED		REV.	
SIMILAR TO		ISSUED		SCALE	
WEIGHT		ACCOUNT No.		SHEET 1 of 1	

DIMENSIONS IN mm (IN)  
**METRIC**