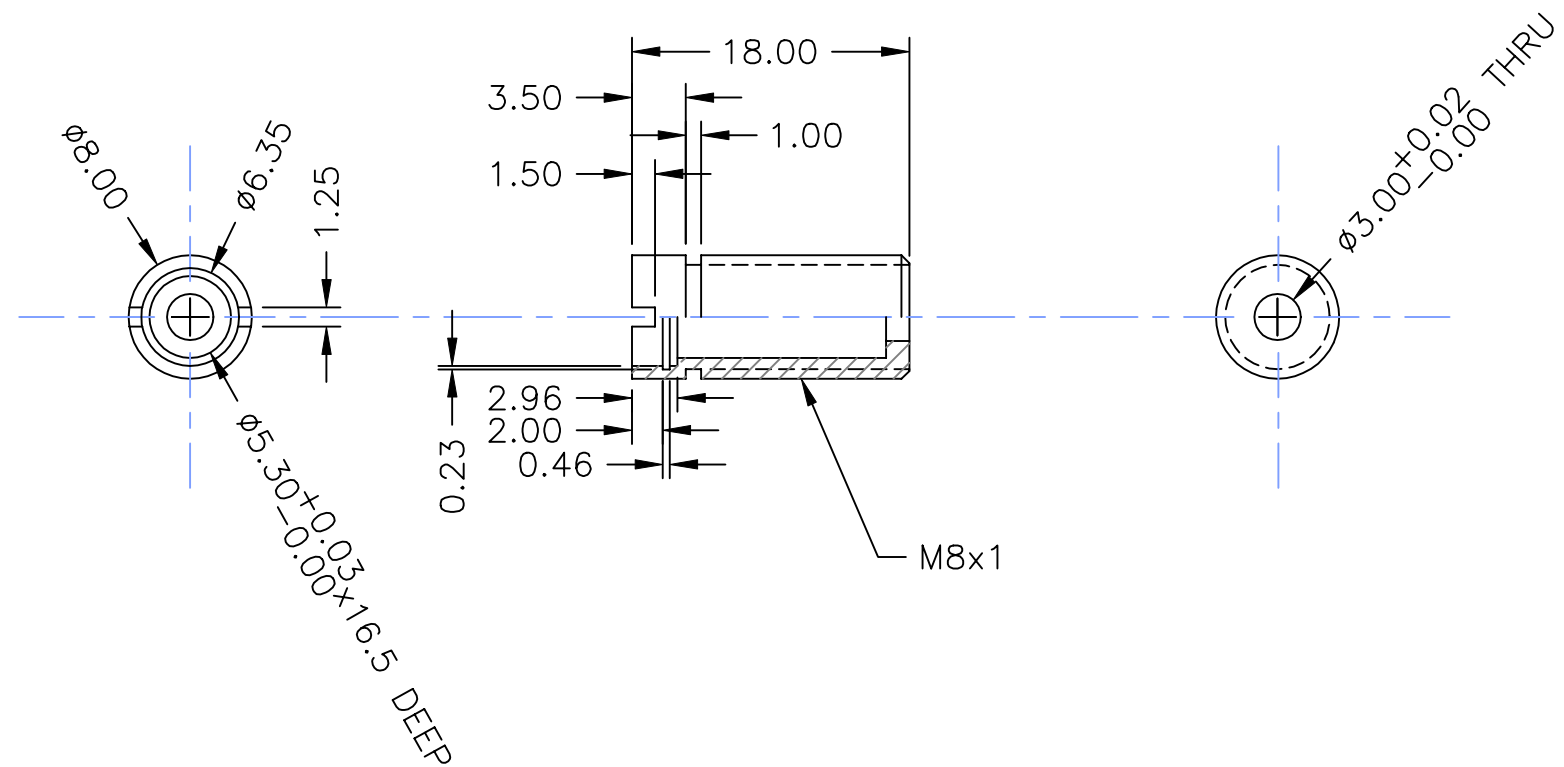
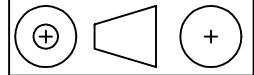


REVISION	DESCRIPTION	DATE
----------	-------------	------



U.S. STD. THIRD ANGLE PROJECTION



ALL DIMENSIONS IN mm

UNLESS OTHERWISE SPECIFIED DIMENSIONS ARE IN MILLIMETERS BILATERAL TOLERANCES ARE: .XX = .1 mm ANGLES SURFACES .XXX = .05 mm 0.5°	MATERIAL	BRASS	DRAWN	P. TURIN	CONTRACT /BUDGET NR	SY-90	TITLE	IMAGE RELEASE CYLINDER	SHEET	SPACE SCIENCES LABORATORIES
	FINISH	AS MACHINED	DATE	6/20/97	SCALE - DO NOT SCALE -	2:1	DRAWING NR.	8200-A4	REVISION	C
										UNIVERSITY OF CALIFORNIA, BERKELEY BERKELEY, CA 94720 (415) 642-7297