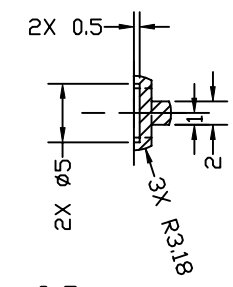
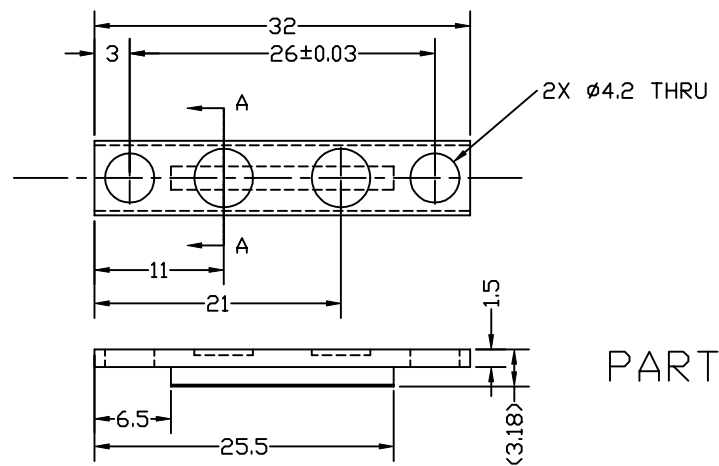
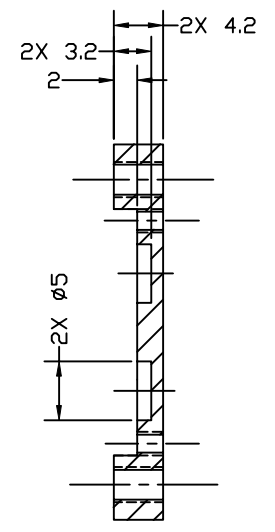
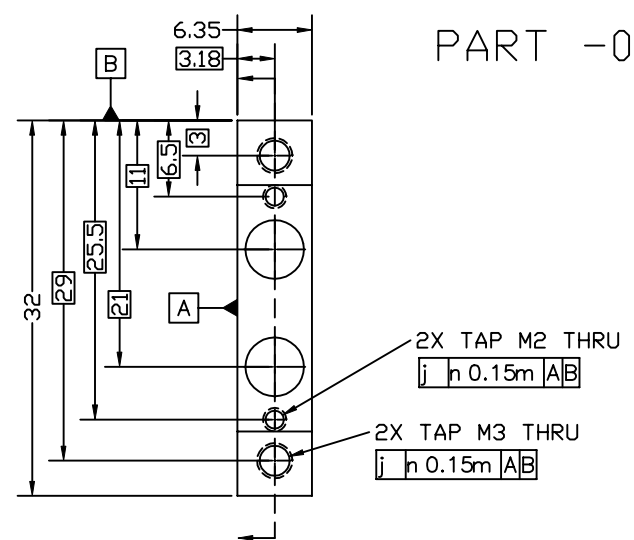


1 inch equals  
exactly 25.4 mm

REVISIONS			
REV.	DESCRIPTION	DATE	APPROVED
C	ADDED RADII AND 2 WIDE RIB TO PART -02	8/18/98	



PART -02

1	A/R	ALUMINUM, 6061-T6	QQ-A-250/12			
ITEM#	QTY	PART NUMBER	NOMENCLATURE	MATERIAL SPECIFICATION		
TOLERANCES (EXCEPT AS SPECIFIED)			DO NOT SCALE DRAWING METRIC DRAWING (UNITS: mm)			
OVER	TO	TOLERANCE	<i>Space Sciences Laboratory</i> UNIVERSITY OF CALIFORNIA, BERKELEY, USA DWG TITLE <b>SPRING BUMPER FUV SI DOOR</b>			
0	49.99	±0.1				
50	249.9	±0.5				
250	-	±1				
ANGLES			INTERPRET PER ANSI Y14.5-1994 WELDING SYMBOLS PER ANSI/ASME A24-79			
SURFACE FINISH			APPROVALS	DATE		
1.6			DRAWN K. KROMER	8/7/98		
SURFACE TREATMENT			CHECKED	ISSUED		
GOLD ALDIDINE 600 PER MIL-C-5541, CLASS 1						
MASS			SIZE	PROGRAM	DWG. NO.	REV
			A	IMAGE	8211-A5	C
			SCALE 2:1	SHEET 1 OF 1		