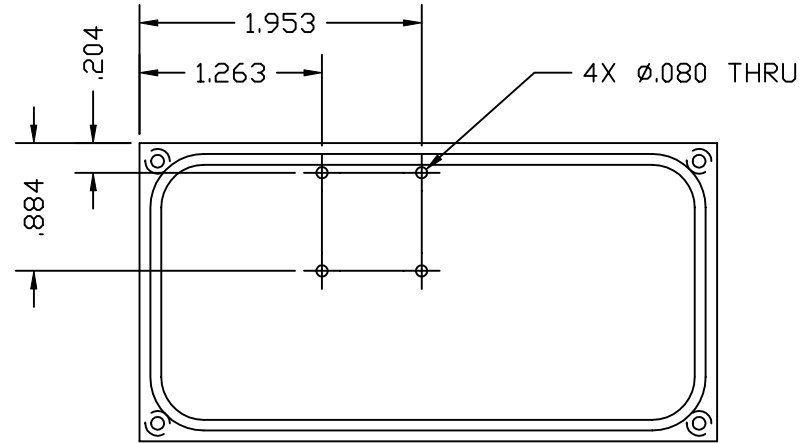


25.4 mm
1 inch

REVISIONS			
REV.	DESCRIPTION	DATE	APPROVED
A	BASELINE RELEASE	12/18/97	



1	A/R		MANUFACTURE FROM #8041	6061-T6 AL																		
ITEM#	QTY	PART NUMBER	NOMENCLATURE	MATERIAL SPECIFICATION																		
<table border="1"> <thead> <tr> <th colspan="3">TOLERANCES (EXCEPT AS SPECIFIED)</th> </tr> <tr> <th>OVER</th> <th>TO</th> <th>TOLERANCE</th> </tr> </thead> <tbody> <tr> <td>0</td> <td>1.999</td> <td>±0.004</td> </tr> <tr> <td>2</td> <td>9.999</td> <td>±0.02</td> </tr> <tr> <td>10</td> <td>-</td> <td>±0.04</td> </tr> <tr> <td colspan="3">ANGLES ±1°</td> </tr> </tbody> </table>			TOLERANCES (EXCEPT AS SPECIFIED)			OVER	TO	TOLERANCE	0	1.999	±0.004	2	9.999	±0.02	10	-	±0.04	ANGLES ±1°			DO NOT SCALE DRAWING ENGLISH DRAWING (UNITS: inches) INTERPRET PER ANSI Y14.5-1982 WELDING SYMBOLS PER ANSI/AWS A2.4-79	
TOLERANCES (EXCEPT AS SPECIFIED)																						
OVER	TO	TOLERANCE																				
0	1.999	±0.004																				
2	9.999	±0.02																				
10	-	±0.04																				
ANGLES ±1°																						
SURFACE FINISH 1.6 ✓			<i>Experimental Astrophysics Group</i> UNIVERSITY OF CALIFORNIA, BERKELEY, USA DWG TITLE DRILL TEMPLATE FUV HVPS STACK LACING																			
SURFACE TREATMENT NONE			APPROVALS	DATE																		
MASS			DRAWN K. KROMER	12/18/97																		
			CHECKED																			
			ISSUED																			
SIZE A		PROGRAM IMAGE	DWG. NO. 8234-A4	REV A																		
SCALE FULL			SHEET 1 OF 1																			